

TC45 & TC45 PRO

TYRE CHANGERS

BEISSBARTH

HIGH VOLUME SERVICE

TC45 and TC45 Pro: More and faster passenger car tyre changes up to 27"



Turntable with automatic centering jaws

- Clamping range from 10–27 inches
- Duo cylinders for maximum clamping power
- 2 rotation speeds: 8 & 16 rpm
- Square shape for easier lever use

Also available with jaw inflation technology (TI)

High rigidity by design

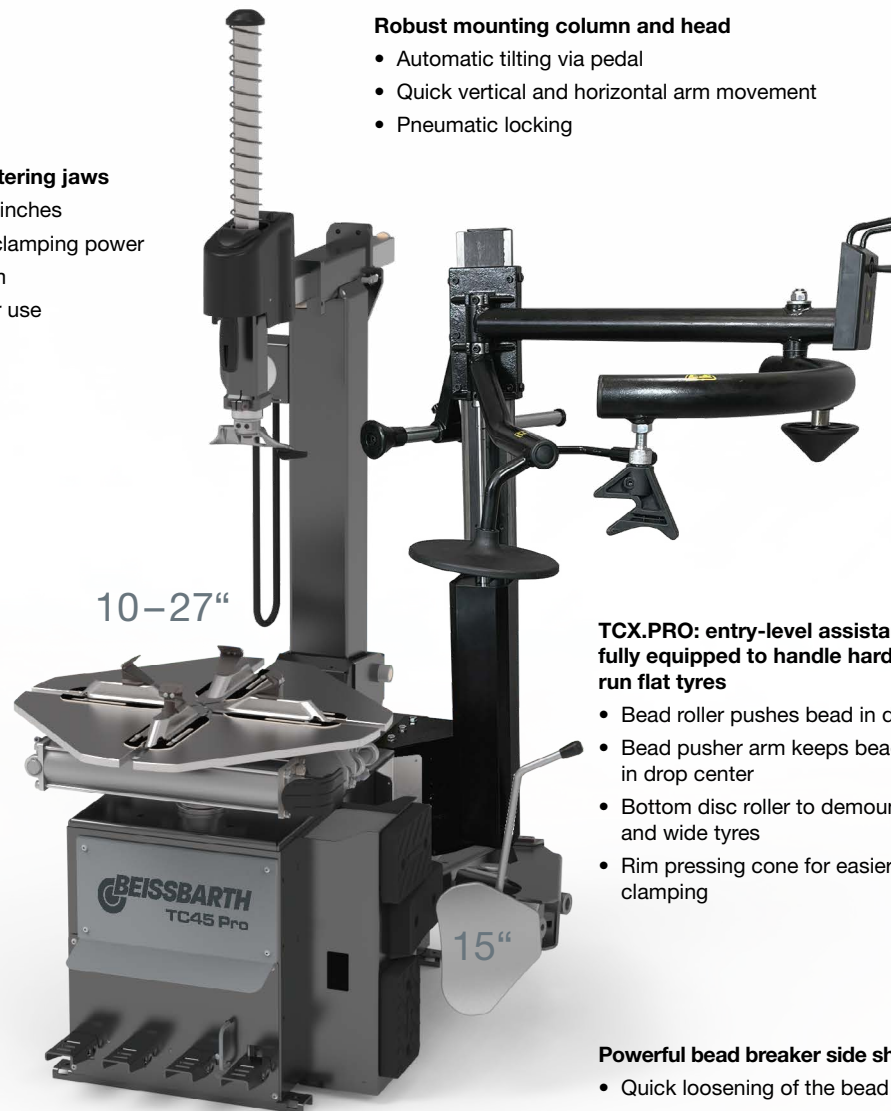
- Full metal pedals
- Powerful tool arm
- Robust metal front cover

Full control with four pedals

- Pedal control for rotation, side shovel, column tilting, and clamping
- Removable pedal unit for easier maintenance

Robust mounting column and head

- Automatic tilting via pedal
- Quick vertical and horizontal arm movement
- Pneumatic locking



TCX.PRO: entry-level assistance column fully equipped to handle hard UHP and run flat tyres

- Bead roller pushes bead in drop center
- Bead pusher arm keeps bead in drop center
- Bottom disc roller to demount stiff and wide tyres
- Rim pressing cone for easier external clamping

Powerful bead breaker side shovel

- Quick loosening of the bead
- Up to 15" tyre width
- Three-way adjustable blade
- Controlled via pedal
- Anti-skid rubber protection

Scope of delivery:

Description	TC45	TC45 TI	TC45 TI	TC45 Pro
Order number	1 692 401 002	1 692 401 011	1 692 401 013	1 692 401 003
Inside clamping	12–27"	12–27"	12–27"	12–27"
Outside clamping	10–24"	10–24"	10–24"	10–24"
Max. wheel width	15" 381 mm	15" 381 mm	15" 381 mm	15" 381 mm
Max. wheel diameter	46" 1,170 mm	46" 1,170 mm	46" 1,170 mm	46" 1,170 mm
Turntable height	670 mm	670 mm	670 mm	670 mm
Mounting paste holder	Up to 5 kg	Up to 5 kg	Up to 5 kg	Up to 5 kg
Air supply	8–12 bar	8–12 bar	8–12 bar	8–12 bar
Inflation	Pedal	Jaw inflation	Jaw inflation	Pedal
Power	0,8–1,1 kW	0,8–1,1 kW	1,1 kW	0,8–1,1 kW
Power supply	400 V 3 Ph 50–60 Hz	400 V 3 Ph 50–60 Hz	230 V 1 Ph 50–60 Hz	400 V 3 Ph 50–60 Hz
Rotation speed	8–16 rpm	8–16 rpm	7,5 rpm	8–16 rpm
WDK-approved	–	–	–	●
Assistance arm	Optional	Optional	Optional	TCX.Pro
Bead roller	–	–	–	Standard
Bead pusher arm	–	–	–	Standard
Bottom disc roller	–	–	–	Standard
Rim pressing cone	–	–	–	Standard

Standard accessories	TC45	TC45 TI	TC45 TI	TC22 Pro
Front head protection	5x	5x	5x	5x
Rear head protection	2x	2x	2x	2x
Cylinder protection	●	●	●	●
Power plug	●	●	●	●
Brush	●	●	●	●
Lever	Standard	Standard	Standard	WDK
Lever protection	Optional	Optional	Optional	●
Cylinder protection	Optional	Optional	Optional	●
WDK RFT/UHP clamp	Optional	Optional	Optional	●
WDK rim protector	Optional	Optional	Optional	●

Optional accessories:



Storage kit
Provides additional storage
Order number: 1 692 402 014



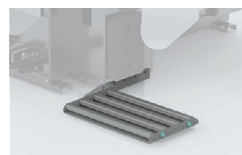
TCX.Pro
Pneumatic assistance column
Order number: 1 692 402 018



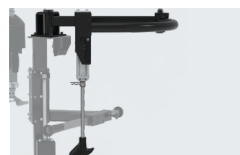
TCX.Pro2
Assistance column
Order number: 1 692 402 017



BeadLock Pro
Prevents hard tyres from rotating on the rim
Order number: 1 692 402 003



Roller board
Rotate wheels for bead breaking without lifting
Order number: 1 692 402 036



TCX.Pro2
Pneumatic assistance arm
Order number: 1 692 402 016

Dimensions TC45:

