

TC1150 HD

TYRE CHANGERS FOR TRUCKS, BUSES
AND AGRICULTURAL VEHICLES

BEISSBARTH

HEAVY DUTY TYRES UP TO 42"

TC1150 HD: Changing tyres up to 42" on trucks, buses and agricultural vehicles

Superior versatility

- Effortlessly handles rims up to 42" diameter
- Extendable up to 56" clamping range
- Covers wheels up to 2,300 mm in diameter and 1,150 mm in width
- Built to handle weights up to 2,000 kg

Powerful hydraulic clamping

- Securely clamps rims from 14–42"
- Rotates in both directions at 4,5 and 9 rpm
- 3 clamping positions allow 6 different ways of clamping the rim
- Hydraulic vertical movement

Standard delivered with mounting lever

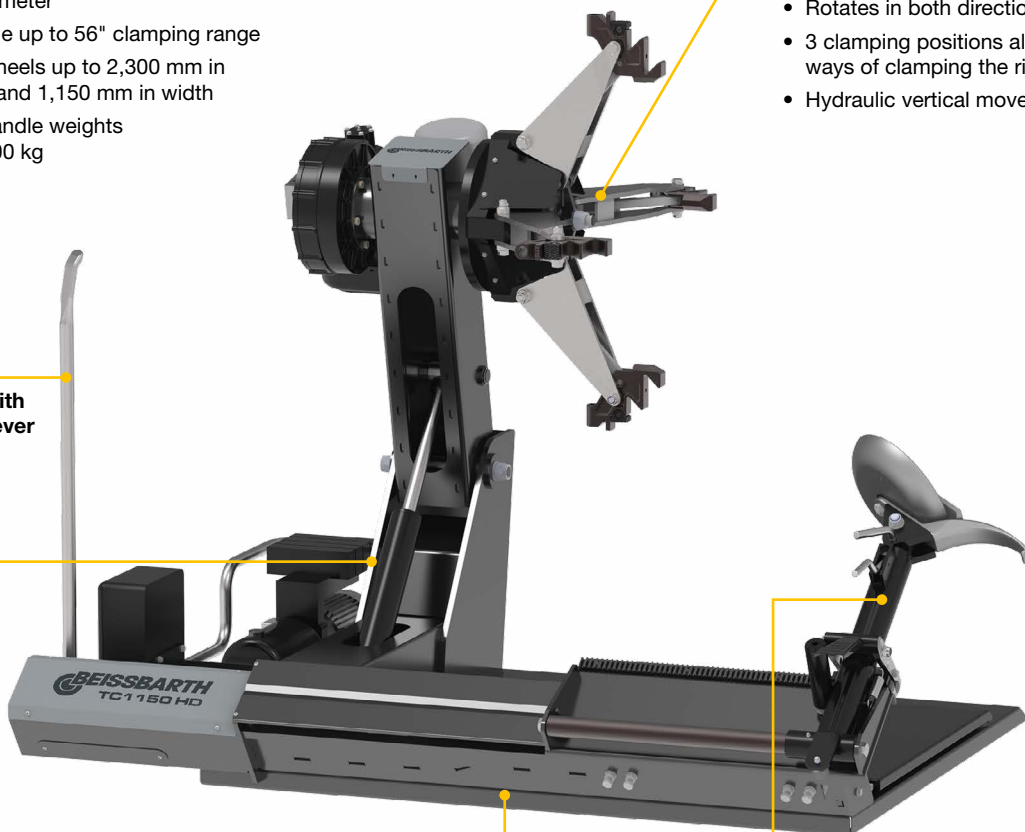
Robust and intuitive cable remote

- Joystick 1 (up/down): wheel up and wheel down
- Joystick 1 (left/right): movement of tool carriage
- Joystick 2: open and close jaws
- Left pedal: rotate anti-clockwise
- Right pedal: rotate clockwise
- Freely movable inside complete working area

Pre-drilled for floor fixation for maximum safety

Quick tool arm

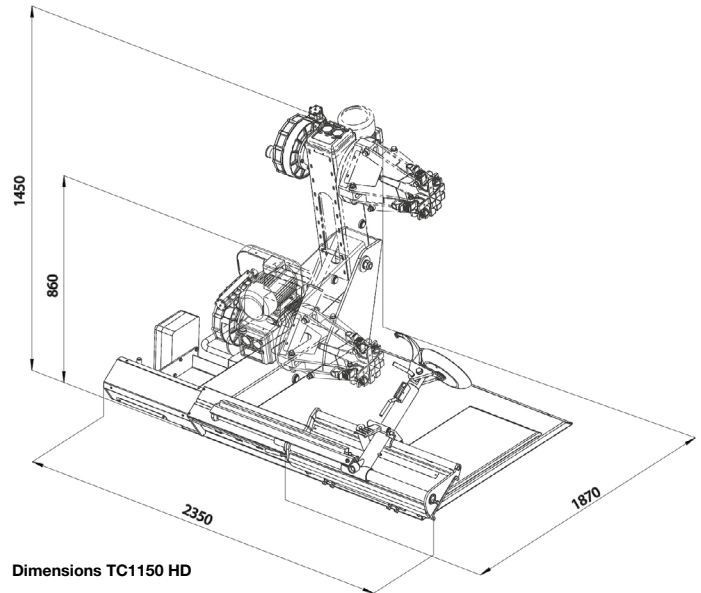
- Manual side movement allows quicker adjustments
- Rotate to quickly switch between bead breaking and demounting function
- 25,000 N bead breaking force
- Flip complete arm for full access to the wheel



Scope of delivery

Description	TC1150 HD
Order number	1 692 401 009
Inside clamping	14–42"
Max. wheel width	45" 1,150 mm
Max. wheel diameter	91" 2,300 mm
Max. wheel weight	2,000 kg
Min. diameter center bore	5" 122 mm
Bead breaker force	25,000 N
Power	1,5 kW
Power supply	400 V 3 Ph 50–60 Hz
Rotation speed	4,5–9 rpm

Standard accessories	TC1150 HD
Mounting lever	●
Rim clamp	●
Power plug	●



Optional accessories:



Alu rim clamp
Clamp for aluminum rims
Order number: 1 692 402 010



Jaw protection kit
Protects aluminum rims
Order number: 1 692 402 008



56" claw extensions
Extends clamping range to 56"
Order number: 1 692 402 005



OTR-Adapter
Adapter for earth moving and off-highway vehicles
Order number: 1 692 402 006



Rim protection ring Ø 281 mm
22,5" aluminum rim protection
Order number: 1 692 402 011

Safe tyre inflation:



Inflation cage

- Safe inflation of industrial tyres up to 1,450 mm in diameter
- Protects technicians from tyre bursts
- Optional electronic inflation control for automatic inflation

